

# SPARE PARTS EXPLODED VIEW GAS WALL BOILERS

Model

## **MIRA C EVO**

R8203345-01 - 07/06/2012

**EN**

**FR**

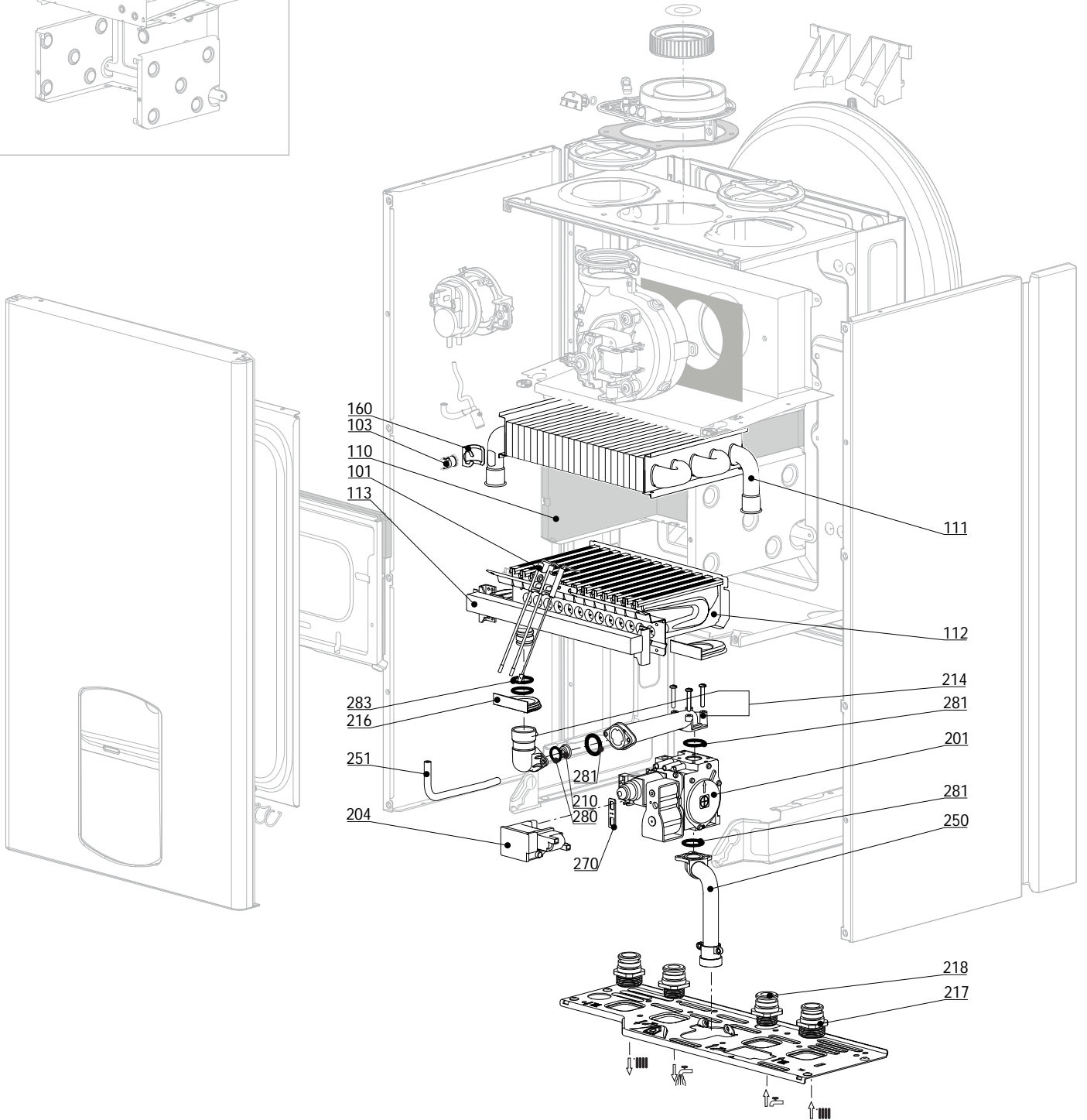
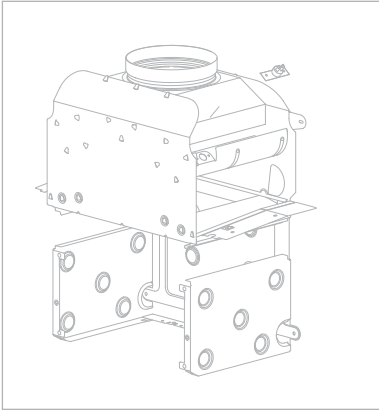
**IT**

**ES**

**DE**

1	3310252	MIRA C EVO 25 CF FR BE	07-2012
2	3310251	MIRA C EVO 24 VMC FR	07-2012
3	3310306	MIRA C EVO 25 30 FF FR BE	07-2012

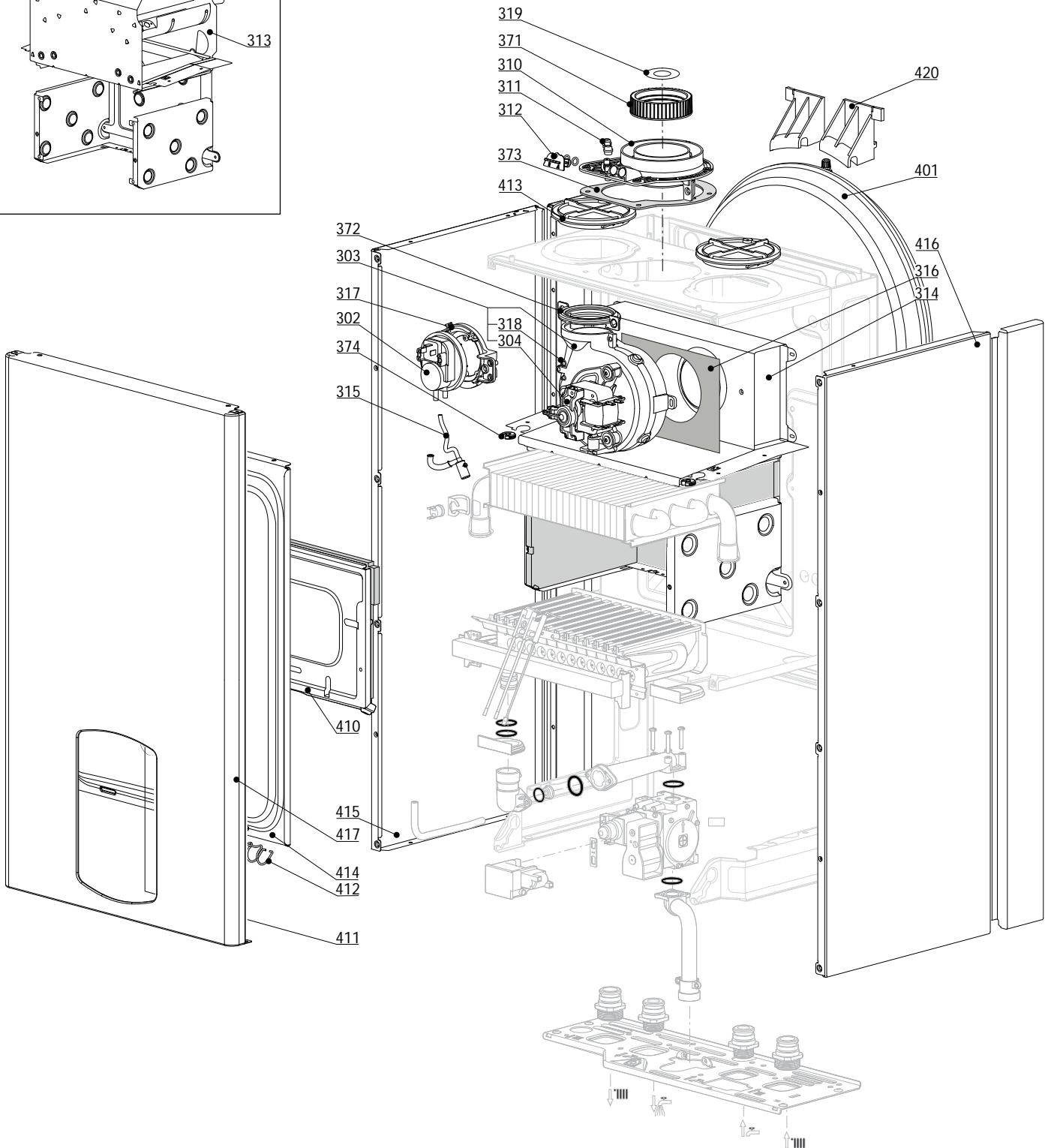
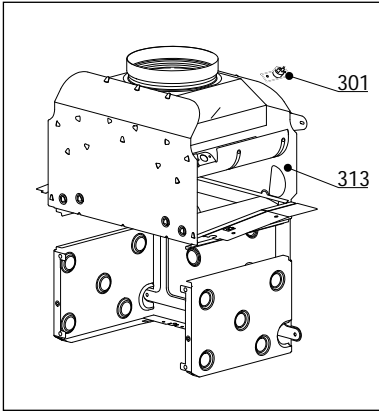
Col	Reference	Model type	Begin	End
-----	-----------	------------	-------	-----



MIRA C EVO 23 CF  
MIRA C EVO 24 VMC  
MIRA C EVO 25 30 FF

31

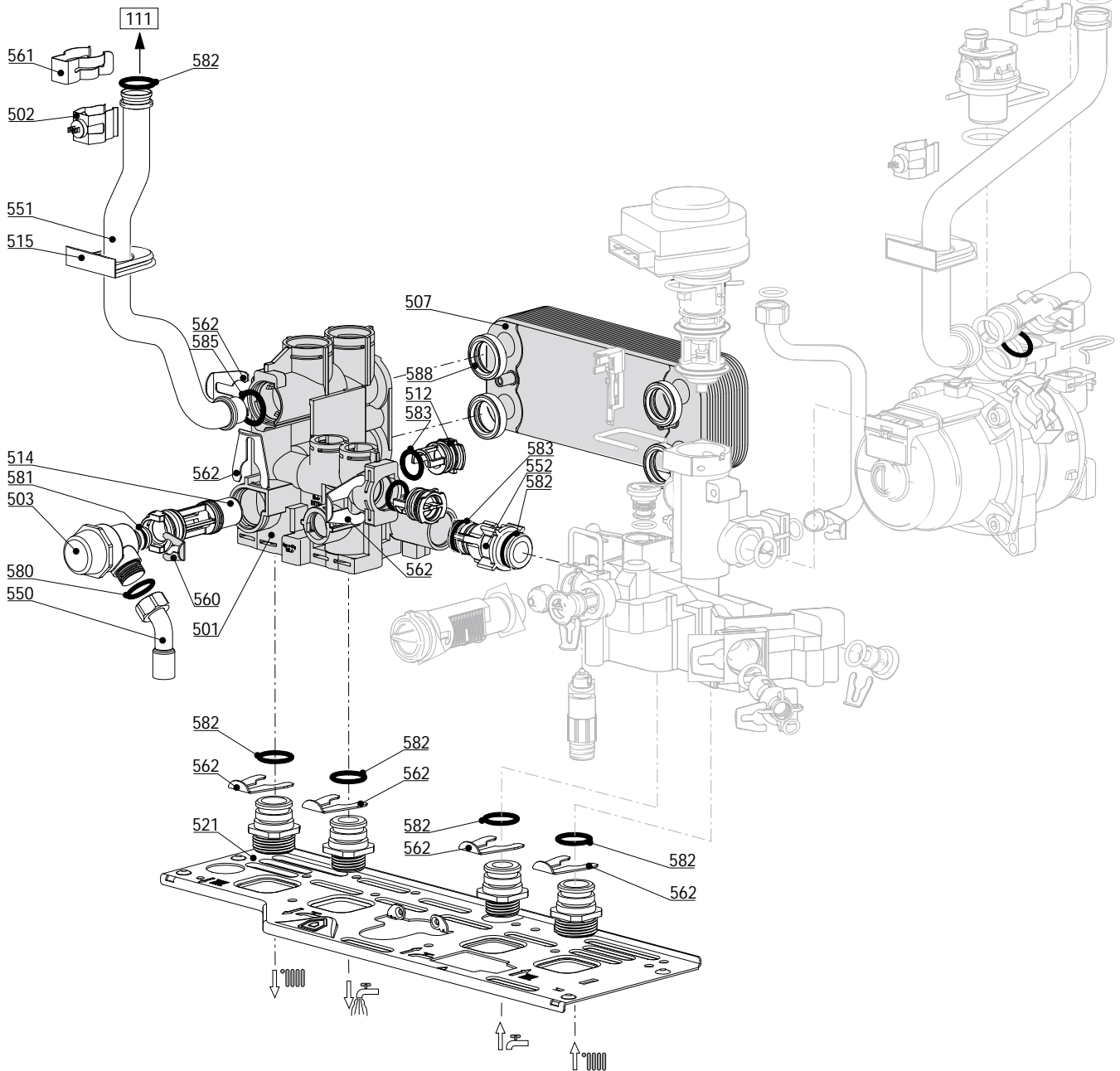
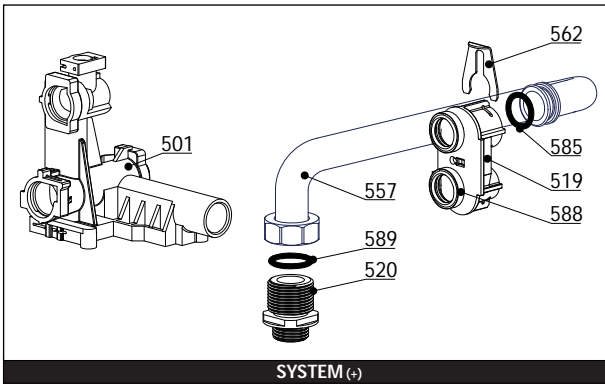
Description	Manf. Pt. N	Type																		
			1	2	3	4	5	6	7	8	9	10	11	12	13	14	15	16	17	18
<b>0100 BURNER ASSEMBLY</b>																				
0101 ELECTRODE (IGNITION/DETECTION)	65104549		•	•	•															
0110 PANELS (KIT)	65104695	MET	•	•	•															
0111 MAIN EXCHANGER	65104246				•															
MAIN EXCHANGER	65104247	MET	•	•																
0112 BURNER 13NP	65104220				•															
BURNER	60001582	MET	•	•																
0113 GAS MANIFOLD 13 INJ. D:1.32	65104226	MET			•															
GAS MANIFOLD 13 INJ. D:1.25	65104302	MET	•	•																
<b>0200 GAS SECTION</b>																				
0201 GAS VALVE	65104254	MET	•	•	•															
0204 SPARK GENERATOR	60001888		•	•	•															
0210 RESTRICTOR D: 6.3	60000018	MET	•	•																
RESTRICTOR D: 7	65105152	MET			•															
0214 PIPE (GAS VALVE/BURNER)	65104230		•	•	•															
0216 GROMMET	60000624		•	•	•															
0217 UNION (3/4)	65104326		•	•	•															
0218 UNION (1/2)	65104327		•	•	•															
0250 GAS TUBE	60000720		•	•	•															
0251 EPDM PIPE	65104296				•															
0270 GASKET (SPARK GENERATOR)	574279		•	•	•															
0280 O-RING D: 14-2.00	60000903	MET	•	•	•															
0281 O-RING 22,22X2,62	65104304		•	•	•															
0283 O-RING 17,17X1,78	65104303		•	•	•															



MIRA C EVO 23 CF  
MIRA C EVO 24 VMC  
MIRA C EVO 25 30 FF

31

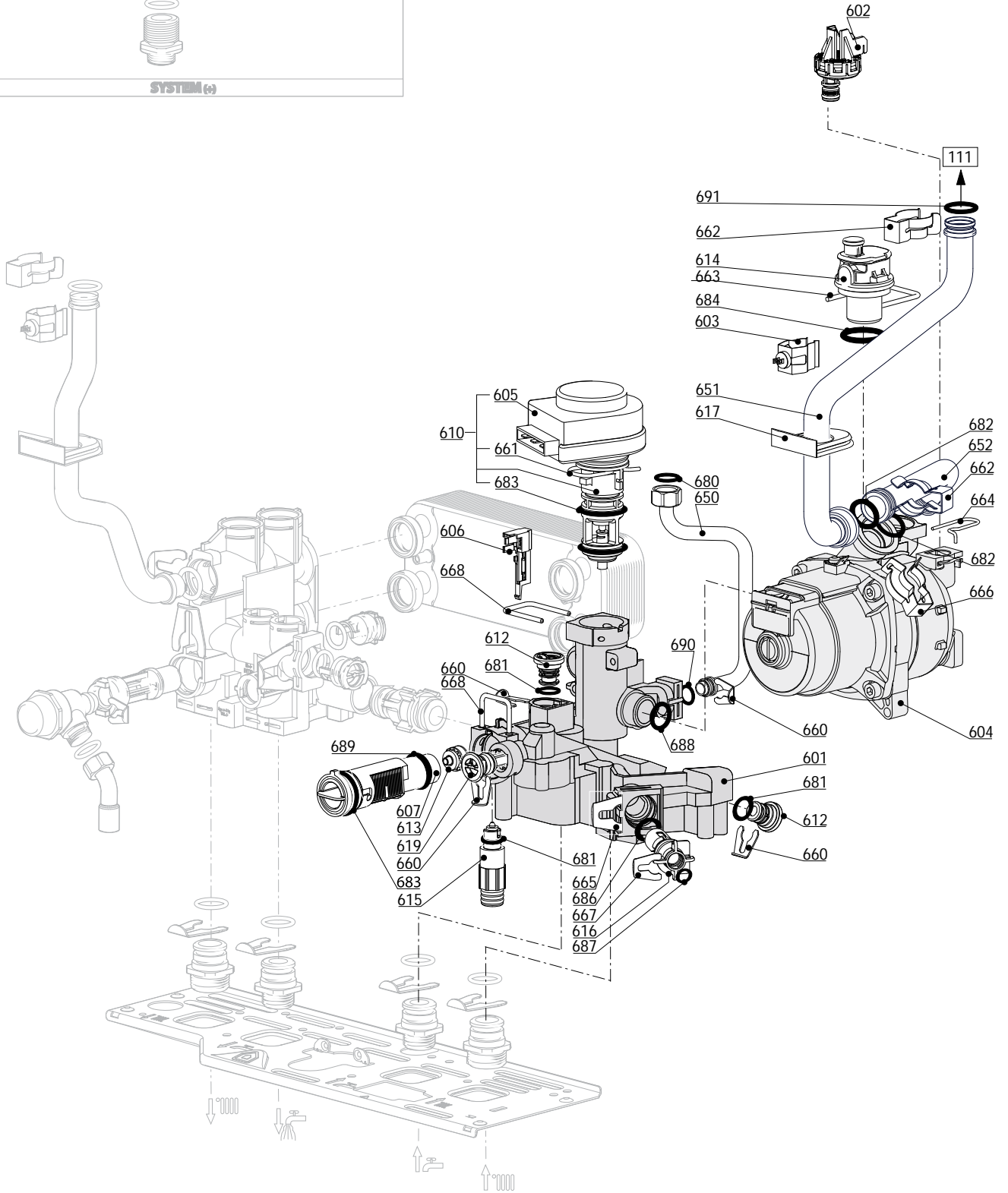
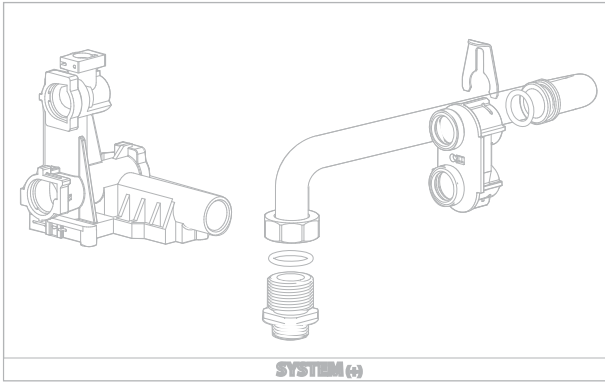
Description	Manf. Pt. N	Type																		
			1	2	3	4	5	6	7	8	9	10	11	12	13	14	15	16	17	18
<b>0300 FAN ASSEMBLY</b>																				
0301 OVERHEAT THERMOSTAT 49C	61310767			•																
THERMOSTAT 75-65°C	999539			•																
0302 AIR PRESSURE SWITCH 74 Pa	65104672-01				•															
0303 FAN	65104231				•															
0304 HALL SENSOR 28/30/35 FF	65108255				•															
0310 FLUE (EXHAUST MANIFOLD / HEADER)	65105393				•															
0311 AIR INTAKE COVER	573329				•															
0312 FLUE INTAKE PLUG	65104295				•															
0313 COMBUSTION CHAMBER 24CF	65104218	MET		•	•															
0314 COMBUSTION CHAMBER 24/28 FF	65104219				•															
0315 CONDENSATE TRAP	65104623				•															
0316 PANEL (INSULATION - FAN)	65104305				•															
0317 SUPPORT (AIR PRESSURE SWITCH)	65104378				•															
0318 VENTURI 28/30FF	65106515				•															
0319 RESTRICTOR KIT	60001598				•															
0371 COLLAR GASKET	65104258				•															
0372 FAN GASKET	65104257				•															
0373 GASKET	60000317				•															
0374 CABLE INLET RUBBER WASHER	60000716			•	•	•														
<b>0400 SEALED CASE</b>																				
0401 EXPANSION VESSEL	65104261			•	•	•														
0410 PANEL (COMBUSTION CHAMBER)	65104240	MET		•	•	•														
0411 SIGHT GLASS	65104232				•															
0412 SPRING FRONT PANEL (KIT)	65104298				•															
0413 AIR RETURN COVER	65104249				•															
0414 PANEL (FRONT - SEALED CHAMBER)	65105679				•															
0415 CASE PANEL (L.H. SIDE)	65105676			•	•	•														
0416 CASE PANEL (R.H. SIDE)	65105677			•	•	•														
0417 CASE PANEL (FRONT)	60000983			•	•	•														
0420 EXPANSION VESSEL SUPPORT	65104696			•	•	•														



MIRA C EVO 23 CF  
MIRA C EVO 24 VMC  
MIRA C EVO 25 30 FF

31

Description	Manf. Pt. N	Type																		
			1	2	3	4	5	6	7	8	9	10	11	12	13	14	15	16	17	18
<b>0500 FLOW GROUP</b>																				
0501 FLOW GROUP	60001952		•	•	•															
0502 TEMPERATURE PROBE + CLIP	990686		•	•	•															
0503 PRESSURE RELIEF VALVE 3 BAR	61312668		•	•	•															
0507 WATER / WATER HEAT EXCHANGER 16	65104333		•	•	•															
0512 PLUG	65104445		•	•	•															
0514 BY-PASS	65104336		•	•	•															
0515 GROMMET	60000808		•	•	•															
0521 HYDRAULIC GROUP SUPPORT	60001375		•	•	•															
0550 PIPE (SAFETY VALVE)	65104447		•	•	•															
0551 HEATING FLOW TUBE	60000991	MET	•	•	•															
0552 BY-PASS PIPE	65104340		•	•	•															
0560 CLIP D:10	65104260		•	•	•															
0561 CLIP	61307589		•	•	•															
0562 CLIP D=18	65104259		•	•	•															
0580 SHEET GASKET D: 13.9-10.4-1.5	60061853-02		•	•	•															
0581 O - RING (15.88X2.62)	65104337		•	•	•															
0582 O-RING D: 17.86-2.62	61308091		•	•	•															
0583 O - RING (15.54X2.62)	65104325		•	•	•															
0585 O-RING 3,53X17,04	65104262		•	•	•															
0588 EXCHANGER GASKET	65104334		•	•	•															

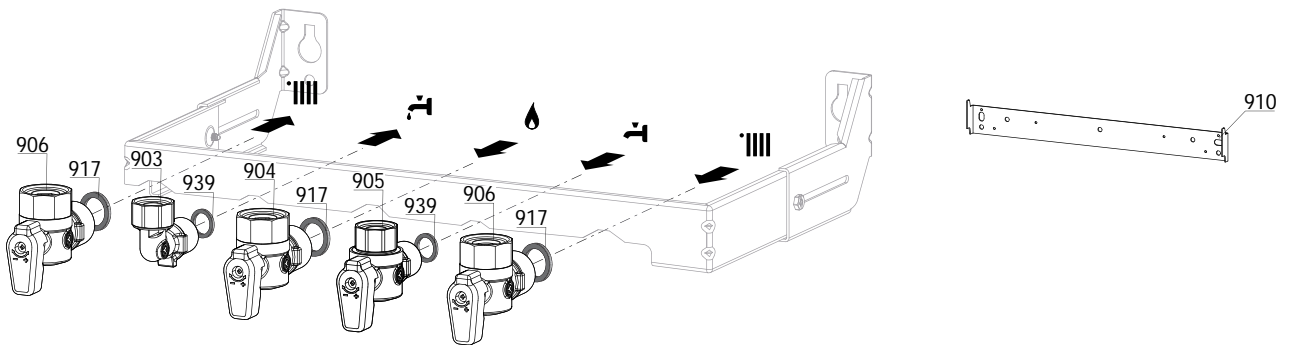
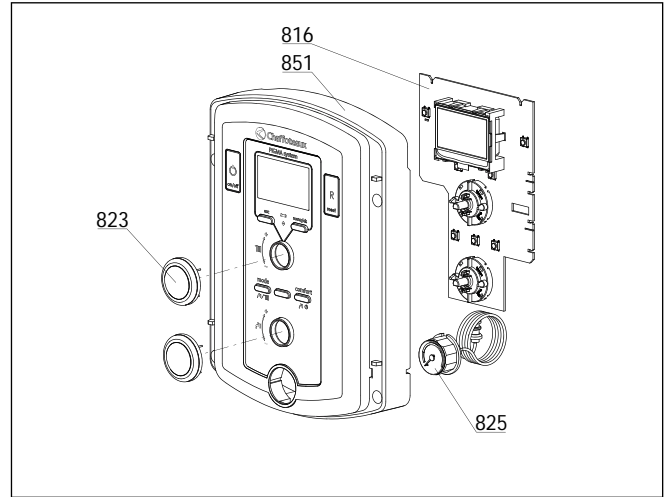
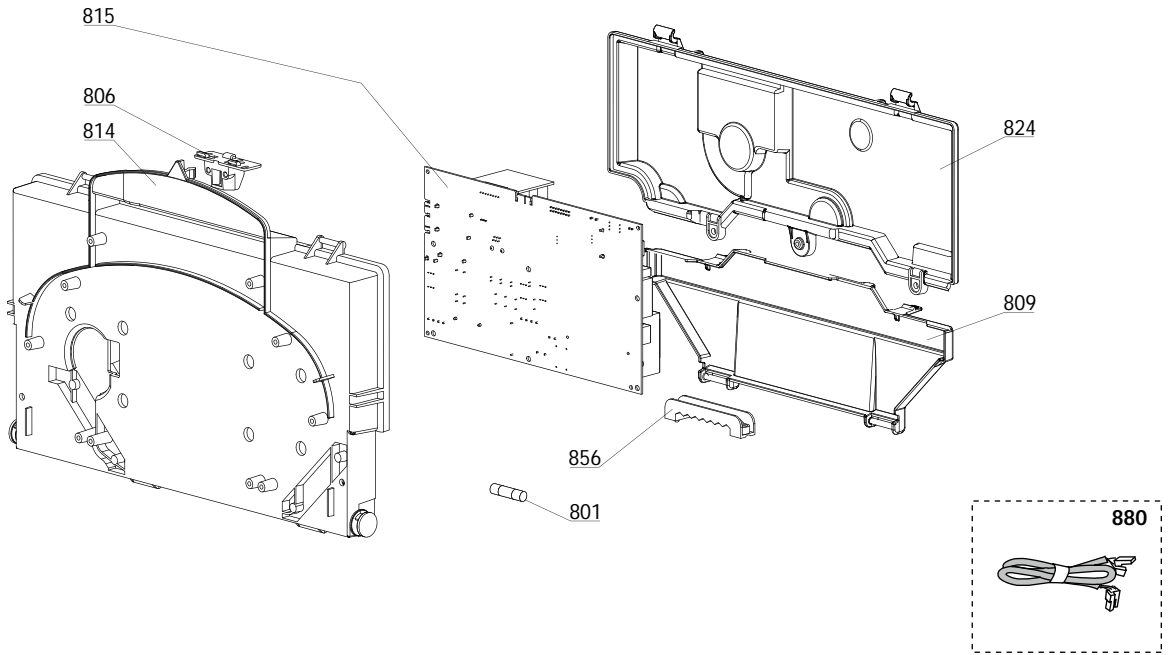




MIRA C EVO 23 CF  
MIRA C EVO 24 VMC  
MIRA C EVO 25 30 FF

31

Description	Manf. Pt. N	Type																		
			1	2	3	4	5	6	7	8	9	10	11	12	13	14	15	16	17	18
<b>0600 RETURN GROUP</b>																				
0601 RETURN GROUP	60000874		•	•	•															
0602 LOW PRESSURE SWITCH	65105090				•															
0603 TEMPERATURE PROBE + CLIP	990686		•	•	•															
0604 PUMP 5M 2V	65104319		•	•	•															
0605 MOTOR - THREE-WAY VALVE	61302483-01		•	•	•															
0606 SENSOR (REED)	65104323		•	•	•															
0607 FLOW METER	60000870		•	•	•															
0610 MOTOR + SPRING 3 WAY VALVE KIT	60001583		•	•	•															
0612 PLUG	65104377		•	•	•															
0613 RIDUCTORS (KIT)	65104318		•	•	•															
0614 AUTO AIR VENT WITH O-RING	65104703		•	•	•															
0615 KIT DRAIN SCREW	60001385		•	•	•															
0616 WATER FILTER	60001372		•	•	•															
0617 GROMMET	60000807		•	•	•															
0619 CHECK VALVE CARTRIDGE	65105323		•	•	•															
0650 PIPE (EXPANSION VESSEL)	60000718		•	•	•															
0651 HEATING RETURN TUBE	60000723	MET	•	•	•															
0652 HEATING RETURN TUBE	60000992	MET	•	•	•															
0660 CLIP D:10	65104260		•	•	•															
0661 CLIP	65104332		•	•	•															
0662 CLIP	61307589		•	•	•															
0663 U-CLIP	65104704		•	•	•															
0664 CLIP	65104322				•															
0665 CLIP	65104331		•	•	•															
0666 CLIP	60000309		•	•	•															
0667 CLIP	65100680		•	•	•															
0668 CLIP	65104316		•	•	•															
0680 GASKET 3/8	573521		•	•	•															
0681 O - RING (9.19X2.62)	65104313		•	•	•															
0682 O-RING 3,53X17,04	65104262		•	•	•															
0683 O - RING (23.47X2.62)	65104315		•	•	•															
0684 O-RING	65104705		•	•	•															
0686 O - RING (15.54X2.62)	65104325		•	•	•															
0687 O RING D: 5.7-1.9	61009834-10		•	•	•															
0688 O - RING (21.89X2.62)	65104320		•	•	•															
0689 O-RING 17,17X1,78	65104303		•	•	•															
0690 O-RING D: 8.9-2.7	61009834-14		•	•	•															
0691 O-RING D: 17.86-2.62	61308091		•	•	•															



5000

- |   |   |   |
|---|---|---|
| <p><b>5001</b><br/>                 Transf. gaz &gt; GPL<br/>                 Conv. gas &gt; GPL<br/>                 Trasn. gas &gt; GPL<br/>                 Transf. gas &gt; GPL</p> | <p><b>5002</b><br/>                 Transf. gaz &gt; Nat<br/>                 Conv. gas &gt; Nat<br/>                 Trasn. gas &gt; Met<br/>                 Transf. gas &gt; Met</p> | <p><b>5020</b><br/>                 Options<br/>                 Accessories<br/>                 Opzioni<br/>                 Accessorio</p> |
|---|---|---|

MIRA C EVO 23 CF  
MIRA C EVO 24 VMC  
MIRA C EVO 25 30 FF

31

Description	Manf. Pt. N	Type																		
			1	2	3	4	5	6	7	8	9	10	11	12	13	14	15	16	17	18
<b>0800 ELECTRICAL BOX</b>																				
0801 FUSE 250V 2A - TEMPORIZED	61003456		•	•	•															
0806 PUSH	65104228		•	•	•															
0809 INSPECTION COVER	60001618		•	•	•															
0814 CONTROL PANEL	60001616		•	•	•															
0815 PRINTED CIRCUIT BOARD	60001897		•	•	•															
0816 PRINTED CIRCUIT BOARD (DISPLAY)	60001906		•	•	•															
0823 PUSH BUTTON	60001933		•	•	•															
0824 CONTROL PANEL COVER (REAR)	60001617		•	•	•															
0825 PRESSURE GAUGE	60001907		•	•	•															
0851 FRONT CONTROL PANEL COMPLETE	60001908		•	•	•															
0856 CABLE CLAMP	65103377		•	•	•															
0880 DISPLAY WIRING	60000746		•	•	•															
FEEDER 240V	60001619		•	•	•															
FLOW METER CABLE - PRES SENSOR CABLE	60001620		•	•	•															
THREE WAY VALVE CABLE	60001621		•	•	•															
IONIZATION ELECTRODE CABLE	60001883		•	•	•															
NTC - GAS VALVE CABLE	60001885		•	•	•															
NTC - PRES SWITCH CABLE	60001889					•														
NTC PROBE - OVERHEAT THERMOSTAT CABLE	60001890					•														
OVERHEAT THERMOSTAT CABLE	60001892						•													
FAN CABLE	60001893							•												
NTC PROBE - OVERHEAT THERMOSTAT CABLE	60001900					•														
CONTACT SOCKET CONNECTOR 2 P.	60001903		•	•	•															
CONTACT SOCKET CONNECTOR 2 P.	60001904		•	•	•															
EARTH WIRE	65104286		•	•	•															
IONIZATION ELECTRODE CABLE	65104518		•	•	•															
PUMP 2V CABLE 5M	65104520	WILO	•	•	•															
<b>0900 JIG PLATE &amp; PIPE FITTING</b>																				
0903 HOT WATER CONNECTION	60000891		•	•	•															
0904 GAS SERVICE TAP	60000898		•	•	•															
0905 COLD WATER TAP	60000895		•	•	•															
0906 WATER FLOW & RETURN SERVI. TAP	60000885		•	•	•															
0910 WALL HOOK	60000625		•	•	•															
0917 SHEET GASKET D: 24-17-1.5	60061855-19		•	•	•															
0939 SHEET GASKET D: 16.5-11-1.5	60061854-14		•	•	•															

## LIST OF THE ABBREVIATIONS

HW .....	: Hot water.
CW .....	: Cold water.
C .....	: Ceramic resistance (normal heating).
Ca .....	: Ceramic resistance (accelerated heating)
TP .....	: Immersion heater.
1F .....	: With fittings.
2F .....	: Without fittings.
3F .....	: With fittings and another outlet connection.
AMI .....	: With mixing valve.
SMI .....	: Without mixing valve.
PUISS .....	: Power of th appliance.
PN .....	: Appliance with normal pression.
LP .....	: Appliance with low pression.
PV .....	: Appliance with variable power.
PF .....	: Appliance with fixed power.

## IDENTIFICATION PLATE

### SERIAL NUMBER

**10 Characters :**

04 05 125 011  
 Year of manufacture    Manufacturing day    Sequential number

**11 Characters :**

1 95 065004 - 31  
 Month of manufacture :    Technical number of the appliance  
 from 1 to 9 → Jan. to Sep.,  
 O → Oct., N → Nov.,  
 D → Dec.    Sequential number    Year of manufacture

**19 Characters :**

08 05 0013199 900640031  
 Year of manufacture    Product reference  
 Month of manufacture    Sequential number

**20 Characters :**

3675007 XX 2 07 070 00315  
 Product reference    Sequential number  
 Millenium of manufacture    Manufacturing day    Year of manufacture

**21 Characters :**

3675007 XX 07 070 0000315  
 Product reference    Sequential number  
 Year of manufacture    Manufacturing day